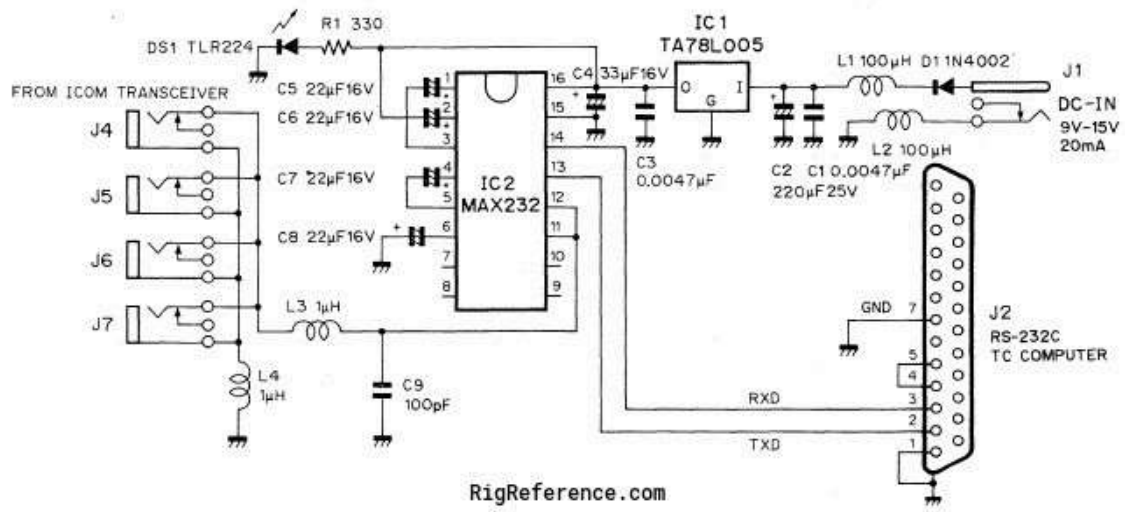


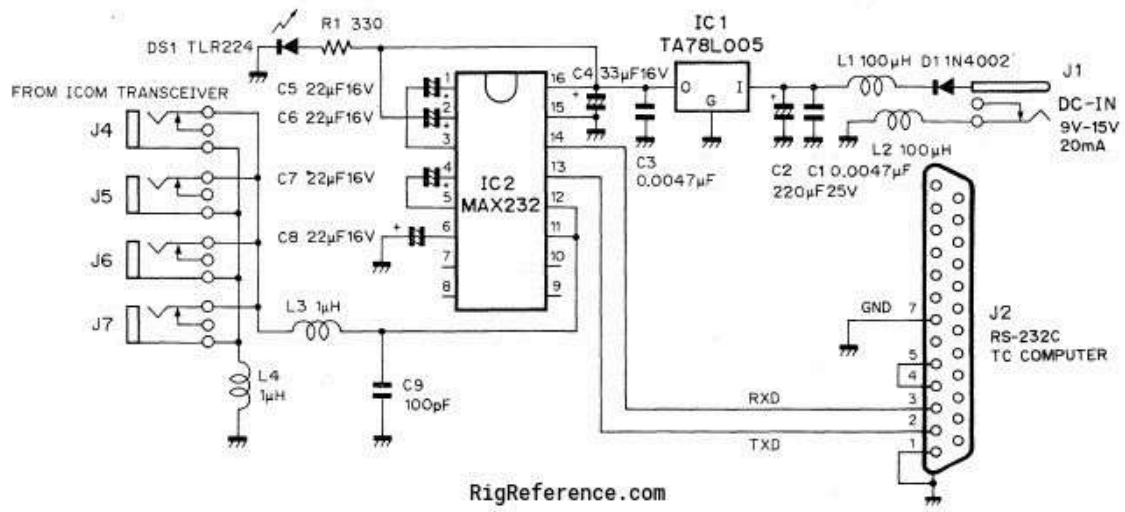
×

CT-17 SCHEMATIC DIAGRAM



Circuit diagram - Submitted by elmer

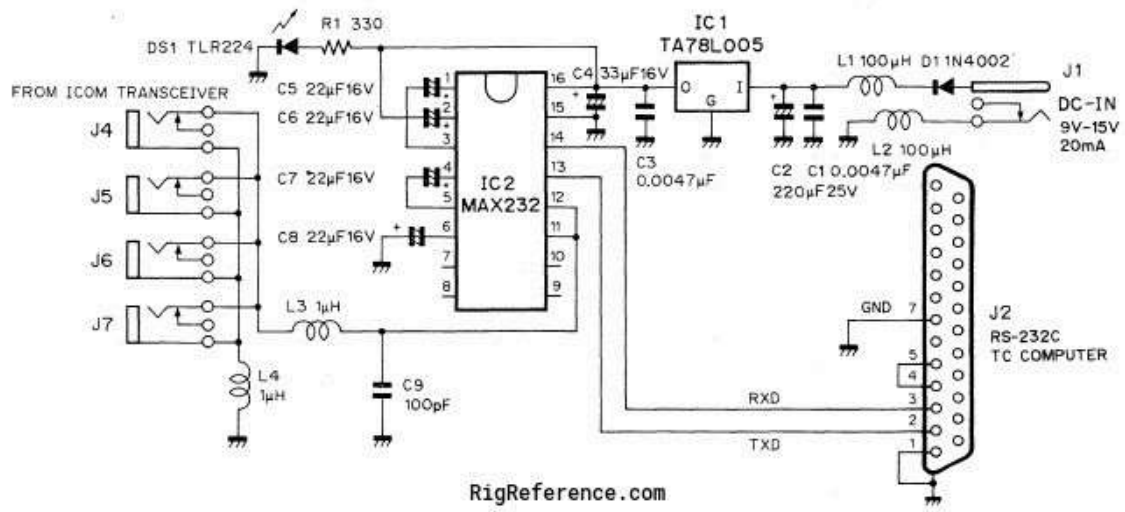
CT-17 SCHEMATIC DIAGRAM



RigReference.com

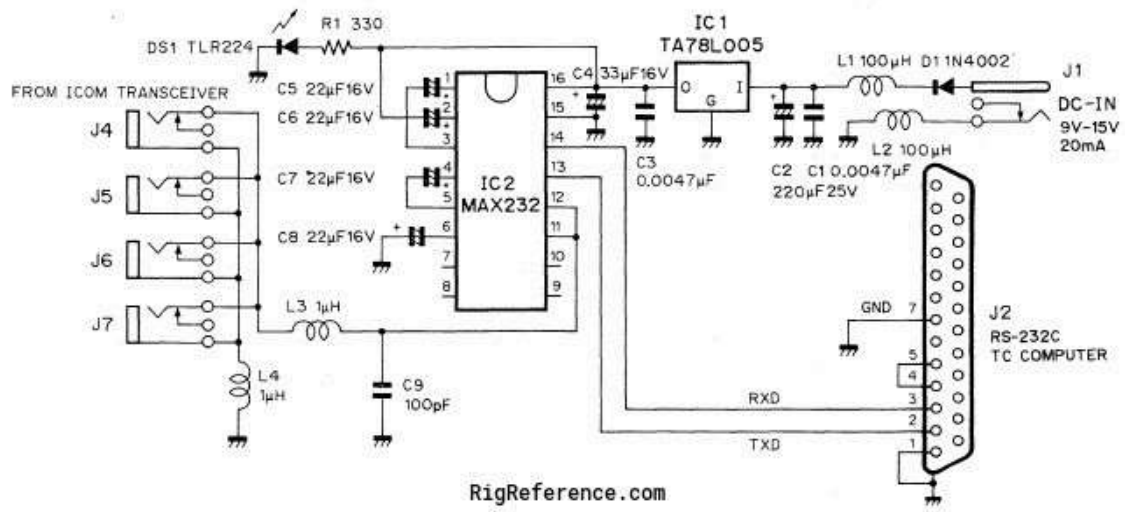
Circuit diagram - Submitted by elmer

CT-17 SCHEMATIC DIAGRAM



Circuit diagram - Submitted by elmer

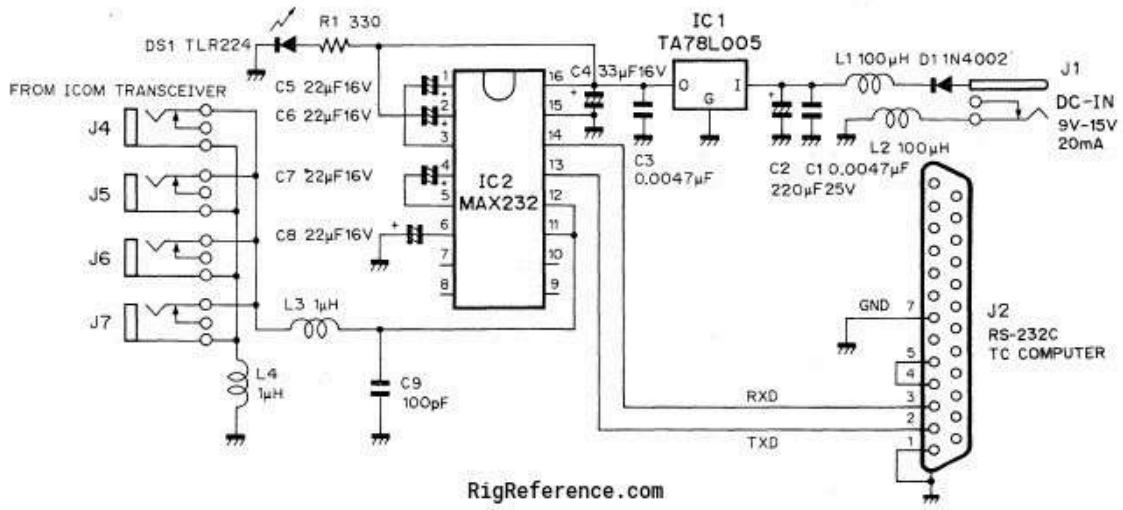
CT-17 SCHEMATIC DIAGRAM



RigReference.com

Circuit diagram - Submitted by elmer

CT-17 SCHEMATIC DIAGRAM



RigReference.com

Circuit diagram - Submitted by elmer