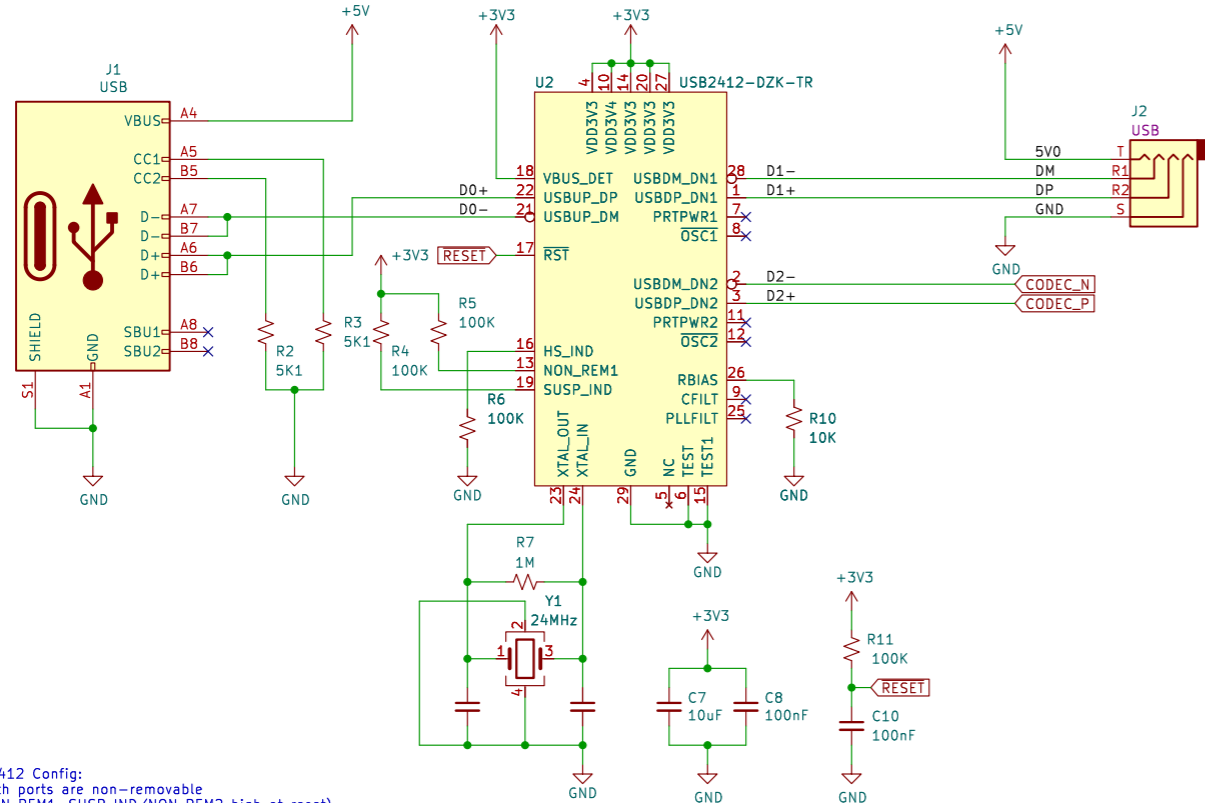


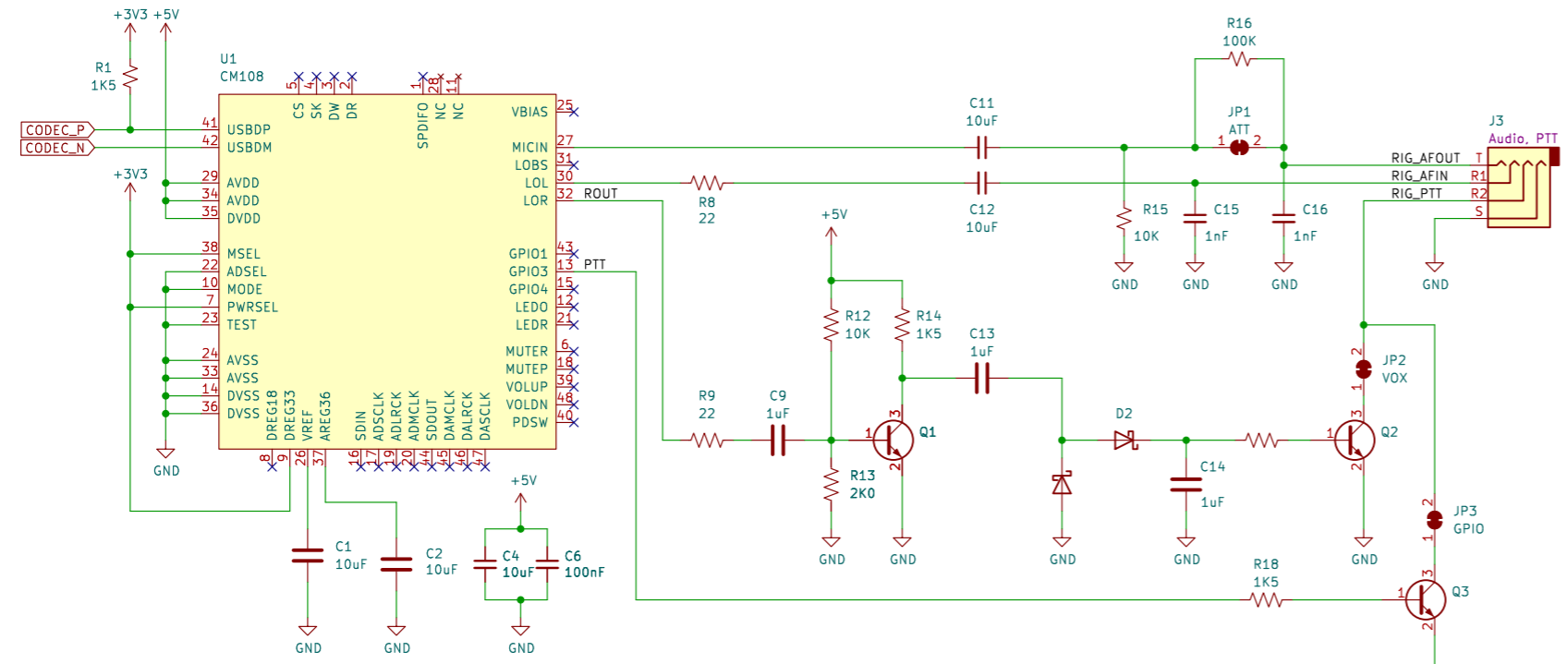
USB Hub



USB1412 Config:
 - both ports are non-removable (NON_REM1, SUSP_IND/NON_REM2 high at reset)
 - no high speed LED (HS_IND low)



Audio Codec, PTT switch



CM108 Config:
 - Playback & Recording (MODE low)
 - With Mixer / AA-Path Enable (MSEL high)
 - Bus Power with 100mA (PWRSEL high)
 - Use internal ADC (ADSEL low)
 - Normal Operation (TEST low)